

* PRODUCT DATASHEET

- * Model: HX-CFA-40L
- * Dimensions:
 - Lens: $\Phi 19.65\text{mm}$ H11.55 \pm 0.05mm
 - Cone holder: N/A
 - Square holder: 20.9x20.9mm H12.45mm
- * Materials:
 - Lens: Optical Grade PMMA/ PC
 - Holder: ABS
- * Assembly Dimensions:
 - Lens with cone holder: N/A
 - Lens with square holder: 20.9x20.9mm H12.45mm
- * Surface Treatment: Beads surface
- * Beam Angle: 40deg
- * For Led:
 - CREE XM-L CREE XML_EZW/HVW
 - OSRAM OSTAR Nichia 183A
 - CREE Mx3 Federal 5050 LG/Citizen 5050
- * Certification: SGS RoHs



- *Features:
 - High efficiency
 - Available in 1 beam Patterns
 - Optimized for uniform effects
 - Lens with holder
- *Typical applications:
 - Stage lighting
 - Street lights
 - Decorative light
 - Architectural lighting
 - Down light
 - Flashlight

* Brief description :

*The OPTIC-FOV (Shenzhen Hongxuan Optoelectronic Technology Co., Ltd) lens offers low-profile lenses specifically designed for the Luxeon[®] LEDs, Edison[®] LEDs, Bridgelux[®] LEDs OSRAM[®] LEDs or Seoul[®] LEDs.

*A software-optimized aspheric profile enables the generation of several different beam output patterns:narrow,medium,elliptical and wides beams.

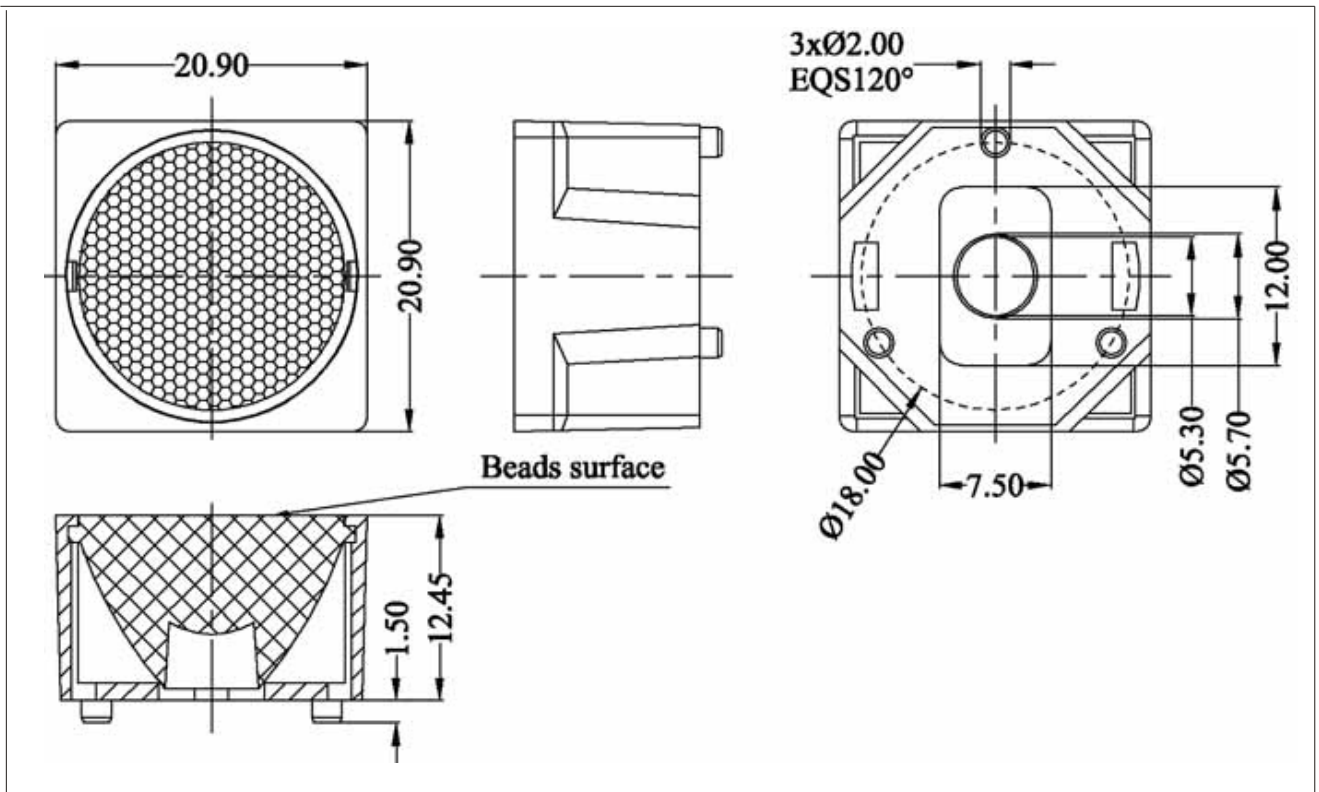
The high collection efficiency reaches 85% of the total flux emitted by the LEDs.

*Lens holders are available in white or black,and provide the proper alignment the between the LEDs and the lenses,set correct distance between the lens and LED.

*The lens holder can be glued to the PCB to provide a secure assembly.



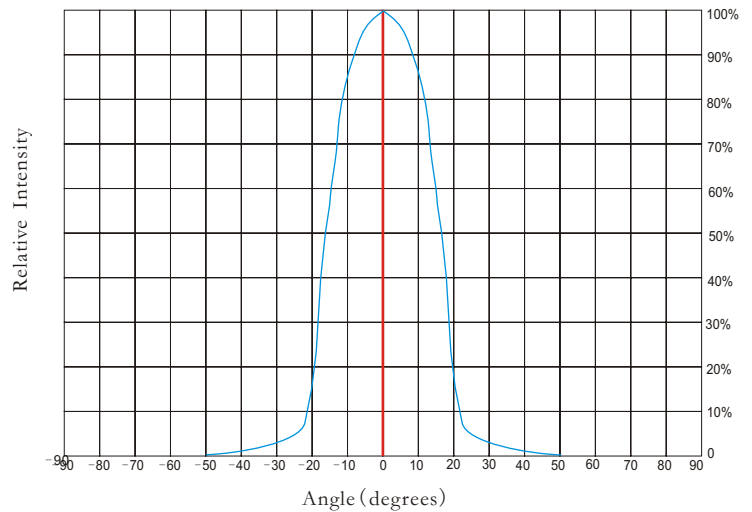
*** Holder and Lens dimensions of the 2D views**



*** Beam Pattern**



*** Angular Intensity Distribution**



*** Typical illuminance values**

| Normal Distance (m) | 1.5 | 2 | 5 | 9 |
|--------------------------------------|-----|-----|-----|-----|
| Illuminance (lux _{1W led}) | N/A | N/A | N/A | N/A |
| Illuminance (lux _{3W led}) | N/A | N/A | N/A | N/A |

Notes:

*Cree flux characteristics at IF=700mA and TJ=25°C: for T5 (Part Name: XMLAWT-00-0000-000LT50F4/Neutral White/260lm/Lambertian LED)

*Performance values given are typical values and will vary dependant on LED binning, colour and drive profile

*Typical illuminance values is reference data (Receiving surface of the average illuminance values) .



* LED Lens materials feature table

| Items | Features | Experimental methods | Units | PMMA |
|----------------------------|------------------------|-----------------------|-------|------|
| Physical properties | Density | ASTM D792 | g/cm | 1.19 |
| | Absorbtion | ASTM D570 | % | 2 |
| Optical properties | Refraction index | ASTM D542 | | 1.49 |
| | Transmittance | ASTM D1003 | % | 95 |
| | ABBE | ASTM D542 | | 58 |
| | Birefringence | | nm | <20 |
| Thermodynamical properties | Glass transition point | DSC | °C | 150 |
| | Heat distortion | ASTM D648 (1.85kg/cm) | °C | 120 |
| Mechanical properties | Tensile strength | ASTM D638 | MPA | 730 |
| | Tensile elongation | ASTM D638 | % | 10 |
| | Flexural modulus | ASTM D790 | 10MPA | 3 |

* Notes:

- 1.Engineering drawings and all dimensions are in millimeters,holder and lens tolerance,respectively ± 0.10 and ± 0.05 .
- 2.Product operating temperature range $-40^{\circ}\text{C} \sim +70^{\circ}\text{C}$ (upper limit $+80^{\circ}\text{C}$).
- 3.Product storage temperature range $-40^{\circ}\text{C} \sim +70^{\circ}\text{C}$ (upper limit $+80^{\circ}\text{C}$).
- 4.Average transmittance in visible specturm $400\text{nm} \sim 700\text{nm} > 92\%$.
- 5.If necessary,clean lenses with mild soap water and soft cloth.
- 6.Never use any commercial cleaning solvents on lenses,like alcohol.
- 7.Please handle and install lenses with wearing gloves,skin oils may damage lens or its optical characteristic.

