



* PRODUCT DATASHEET

- * Model: HX-CS25x4-30
- * Dimensions:
 Lens: $\Phi 25.00\text{mm}$ H7.95mm
 Cone holder: N/A
 bipod striped cylinder holder: N/A
- * Materials:
 Lens: Optical Grade PMMA / PC
 Holder: N/A
- * Assembly Dimensions:
 Lens with cone holder: N/A
 Lens with bipod striped cylinder holder: N/A
- * Surface Treatment: Polishing surface
- * Beam Angle: 30deg
- * For Led:
 CREE X-PC/E/G/G2     
 CREE X-TE/BD   Seoul Acriche Z5
 Federal 3535   Nichia 119A 
 Lumileds Rebel   Oscon CP7P 
- * Certification: SGS RoHs



- * Features:
 High efficiency
 Available in 1 beam Patterns
 Optimized for uniform effects
 Lens with holder
- * Typical applications:
 Stage lighting
 Street lights
 Decorative light
 Architectural lighting
 Down light
 Flashlight

* Brief description :

*The OPTIC-FOV (Shenzhen Hongxuan Optoelectronic Technology Co., Ltd) lens offers low-profile lenses specifically designed for the Luxeon® LEDs, Edison® LEDs, Bridgelux® LEDs, CREE® LEDs or Seoul® LEDs.

*A software-optimized aspheric profile enables the generation of several different beam output patterns: narrow, medium, elliptical and wide beams.

The high collection efficiency reaches 85% of the total flux emitted by the LEDs.

*Lens holders are available in white or black, and provide the proper alignment between the LEDs and the lenses, set correct distance between the lens and LED.

*The lens holder can be glued to the PCB to provide a secure assembly.



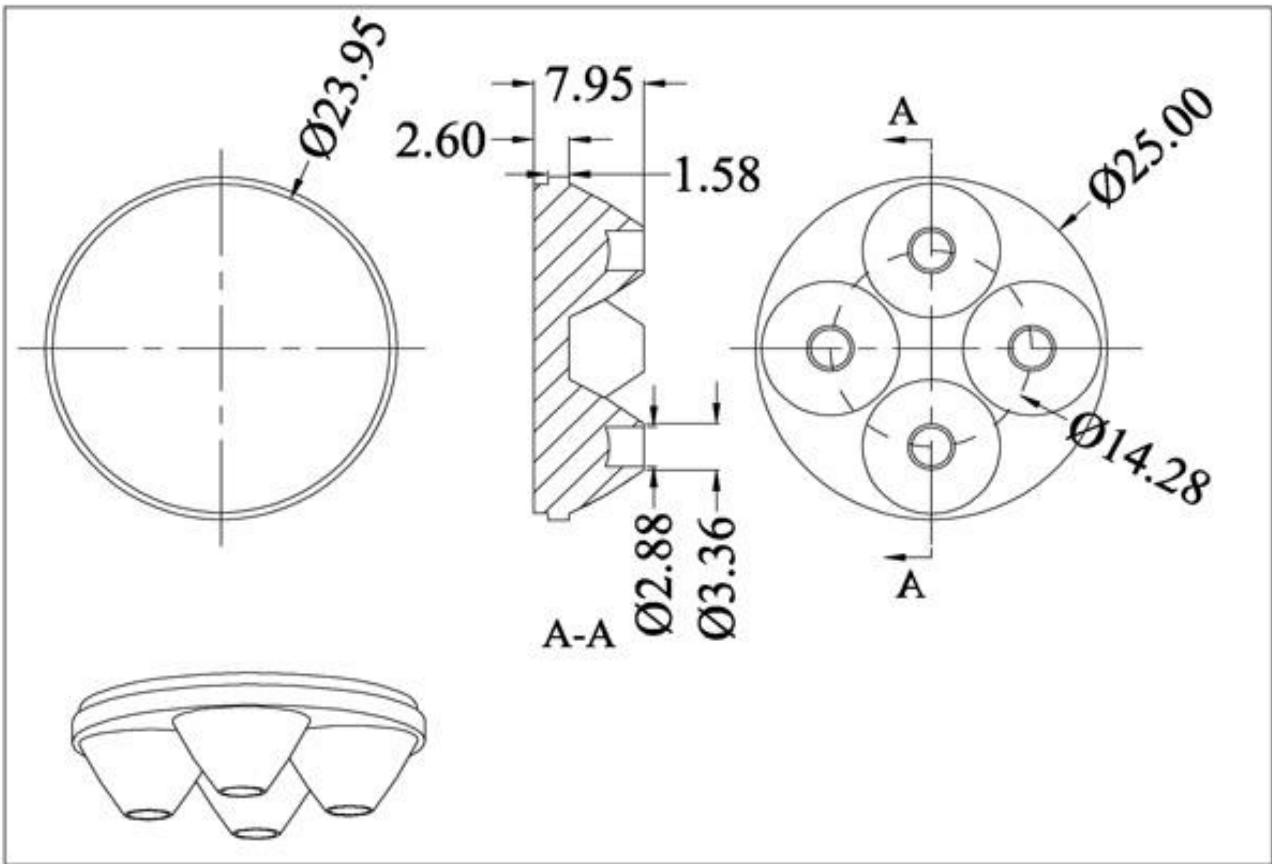
Company: Shenzhen Hongxuan Optoelectronic Technology Co., Ltd
 Address: 33 building, Tongfuyuan industrial park, Dalang Longhua new district,
 Shenzhen city, Guangdong China

Tel: 0086-755-29059599 Fax: 0086-755-29056599 Email: opticfov@gmail.com

Website: www.optic-fov.com



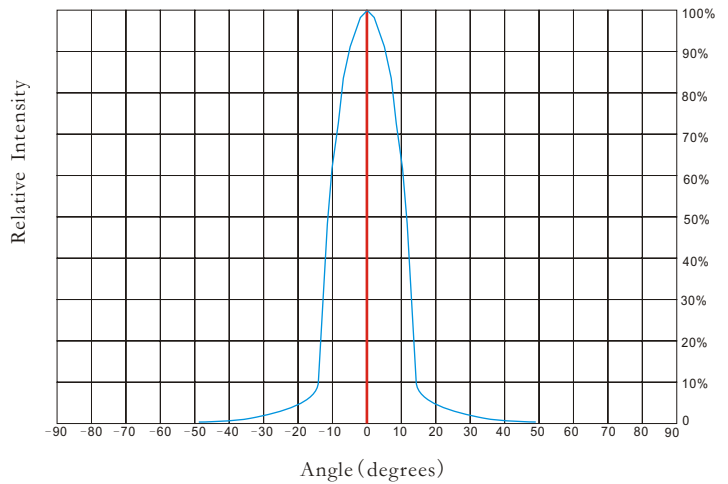
*** Holder and Lens dimensions of the 2D views**



*** Beam Pattern**



*** Angular Intensity Distribution**



*** Typical illuminance values**

| Normal Distance (m) | 1.5 | 2 | 5 | 9 |
|--------------------------------------|-------|-------|------|-----|
| Illuminance (lux _{1W led}) | 716.8 | 403.2 | 64.5 | N/A |
| Illuminance (lux _{3W led}) | N/A | N/A | N/A | N/A |

Notes:

*Cree flux characteristics at IF=350mA and TJ=25°C: for 1W Q5 (Part Name: XPGWHT-L1-0000-00DE4/Neutral White/107lm/Lambertian LED)

*Performance values given are typical values and will vary dependant on LED binning, colour and drive profile

*Typical illuminance values is reference data (Receiving surface of the average illuminance values) .



* LED Lens materials feature table

| Items | Features | Experimental methods | Units | PMMA |
|----------------------------|------------------------|-----------------------|-------|------|
| Physical properties | Density | ASTM D792 | g/cm | 1.19 |
| | Absorbption | ASTM D570 | % | 2 |
| Optical properties | Refraction index | ASTM D542 | | 1.49 |
| | Transmittance | ASTM D1003 | % | 95 |
| | ABBE | ASTM D542 | | 58 |
| | Birefringence | | nm | <20 |
| Thermodynamical properties | Glass transition point | DSC | °C | 150 |
| | Heat distortion | ASTM D648 (1.85kg/cm) | °C | 120 |
| Mechanical properties | Tensile strength | ASTM D638 | MPA | 730 |
| | Tensile elongation | ASTM D638 | % | 10 |
| | Flexural modulus | ASTM D790 | 10MPA | 3 |

* Notes:

- 1.Engineering drawings and all dimensions are in millimeters,holder and lens tolerance,respectively ± 0.10 and ± 0.05 .
- 2.Product operating temperature range $-40^{\circ}\text{C} \sim +70^{\circ}\text{C}$ (upper limit $+80^{\circ}\text{C}$).
- 3.Product storage temperature range $-40^{\circ}\text{C} \sim +70^{\circ}\text{C}$ (upper limit $+80^{\circ}\text{C}$).
- 4.Average transmittance in visible specturm $400\text{nm} \sim 700\text{nm} > 92\%$.
- 5.If necessary,clean lenses with mild soap water and soft cloth.
- 6.Never use any commercial cleaning solvents on lenses,like alcohol.
- 7.Please handle and install lenses with wearing gloves,skin oils may damage lens or its optical characteristic.

